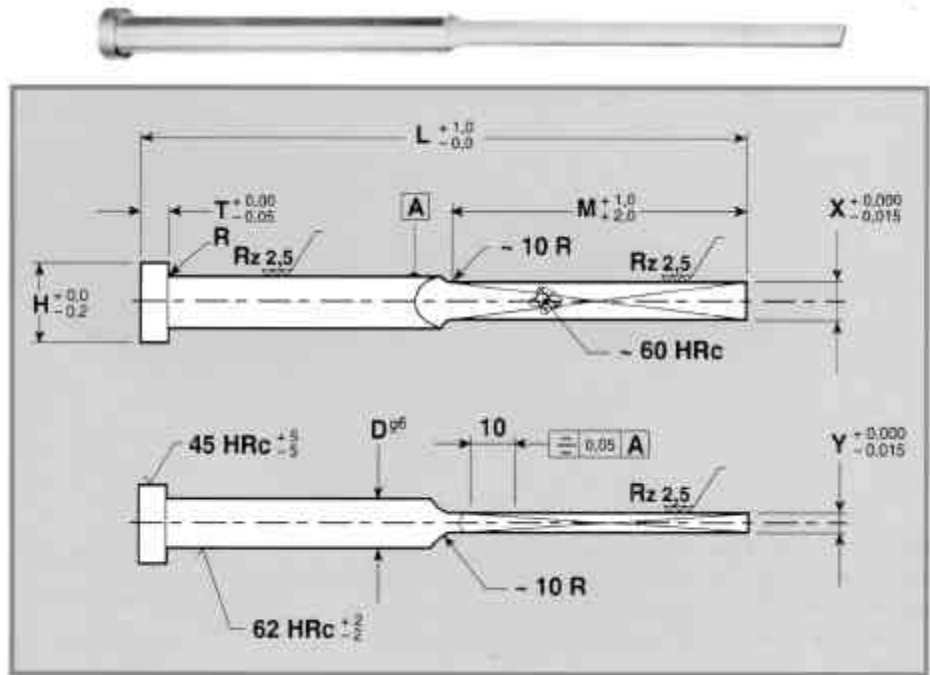


Blade Ejectors

THROUGH HARDENED

MSI blades are manufactured from the highest quality tool steel to exacting standards, resulting in a through hardened blade that:

- has a high core strength, allowing flexing without damage to the blade ejector or the mold.
- virtually eliminates the possibility of chipping.
- allows blade dimensions to be changed (forming of ends) without affecting the hardness.



X	Y	D	L = 63 M = 32	L = 80 M = 40	L = 100 M = 50	L = 125 M = 63	L = 160 M = 80	L = 200 M = 100	L = 250 M = 125	L = 315 M = 160	L = 400 M = 200	H	T	R
3.5	0.8	4.0	B03508063	B03508080	B03508100	B03508125	B03508160					8.0	3.0	0.3
3.5	1.0	4.0	B03510063	B03510080	B03510100	B03510125	B03510160	B03510200	B03510250			8.0	3.0	0.3
3.5	1.2	4.0		B03512080	B03512100	B03512125	B03512160	B03512200				8.0	3.0	0.3
3.8	0.8	4.2	B03808063	B03808080	B03808100	B03808125	B03808160					8.0	3.0	0.3
3.8	1.0	4.2	B03810063	B03810080	B03810100	B03810125	B03810160					8.0	3.0	0.3
3.8	1.2	4.2		B03812080	B03812100	B03812125	B03812160	B03812200				8.0	3.0	0.3
4.5	1.0	5.0	B04510063	B04510080	B04510100	B04510125	B04510160	B04510200				10.0	3.0	0.3
4.5	1.2	5.0		B04512080	B04512100	B04512125	B04512160	B04512200				10.0	3.0	0.3
4.5	1.5	5.0		B04515080	B04515100	B04515125	B04515160	B04515200				10.0	3.0	0.3
5.5	1.0	6.0		B05510080	B05510100	B05510125	B05510160	B05510200				12.0	5.0	0.5
5.5	1.2	6.0		B05512080	B05512100	B05512125	B05512160	B05512200	B05512250			12.0	5.0	0.5
5.5	1.5	6.0		B05515080	B05515100	B05515125	B05515160	B05515200	B05515250			12.0	5.0	0.5
5.5	2.0	6.0		B05520080	B05520100	B05520125	B05520160	B05520200	B05520250			12.0	5.0	0.5
7.5	1.0	8.0				B07510125	B07510160					14.0	5.0	0.5
7.5	1.2	8.0			B07512100	B07512125	B07512160	B07512200	B07512250			14.0	5.0	0.5
7.5	1.5	8.0			B07515100	B07515125	B07515160	B07515200	B07515250	B07515315		14.0	5.0	0.5
7.5	2.0	8.0			B07520100	B07520125	B07520160	B07520200	B07520250	B07520315		14.0	5.0	0.5
9.5	1.2	10.0					B09512160	B09512200				16.0	5.0	0.5
9.5	1.5	10.0					B09515160	B09515200	B09515250	B09515315	B09515400	16.0	5.0	0.5
9.5	2.0	10.0					B09520160	B09520200	B09520250	B09520315	B09520400	16.0	5.0	0.5
11.5	2.0	12.0						B11520200	B11520250	B11520315	B11520400	20.0	7.0	0.8
11.5	2.5	12.0						B11525200	B11525250	B11525315	B11525400	20.0	7.0	0.8
15.5	2.0	16.0						B15520200	B15520250	B15520315	B15520400	22.0	7.0	0.8
15.5	2.5	16.0						B15525200	B15525250	B15525315	B15525400	22.0	7.0	0.8