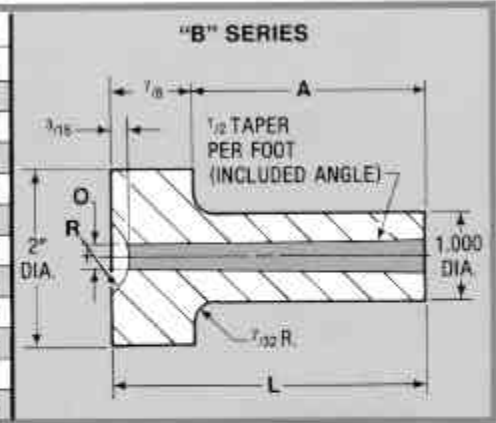


# Sprue Bushings

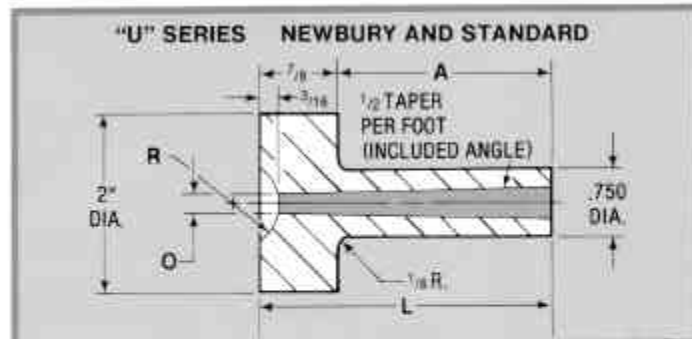
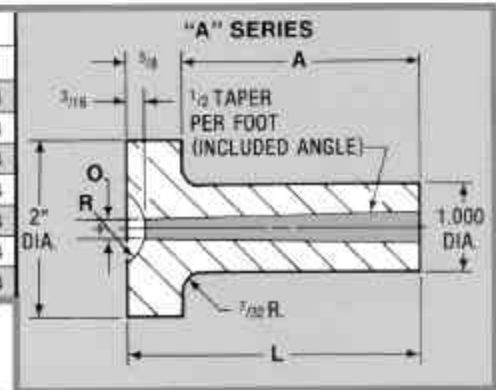
**HARDENED, GROUND  
& POLISHED**

MSI sprue bushings are available in a wide variety of types. These off-the-shelf standards allow the mold to be used in a variety of injection molding machines

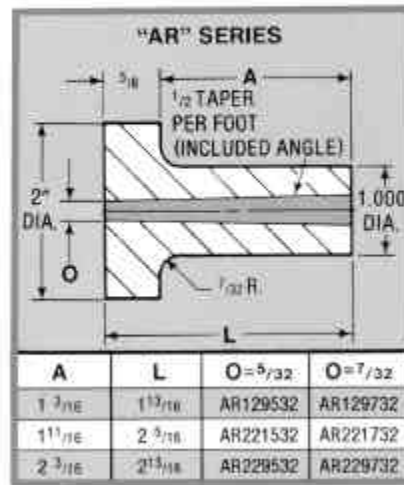
A	L	O=5/32		O=7/32		O=9/32		O=11/32	
		R=1/2	R=3/4	R=1/2	R=3/4	R=1/2	R=3/4	R=1/2	R=3/4
29/32	129/32	B129512	B129534	B129712	B129734	B129912	B129934	B129112	B129134
113/32	2 9/32	B221512	B221534	B221712	B221734	B221912	B221934	B221112	B221134
129/32	225/32	B229512	B229534	B229712	B229734	B229912	B229934	B229112	B229134
213/32	3 9/32	B321512	B321534	B321712	B321734	B321912	B321934	B321112	B321134
229/32	325/32	B329512	B329534	B329712	B329734	B329912	B329934	B329112	B329134
313/32	4 9/32	B421512	B421534	B421712	B421734	B421912	B421934	B421112	B421134
329/32	425/32	B429512	B429534	B429712	B429734	B429912	B429934	B429112	B429134
413/32	5 9/32	B521512	B521534	B521712	B521734	B521912	B521934	B521112	B521134
429/32	525/32	B529512	B529534	B529712	B529734	B529912	B529934	B529112	B529134
529/32	625/32	—	—	B629712	B629734	B629912	B629934	—	—
629/32	725/32	—	—	B729712	B729734	B729912	B729934	B729112	B729134



A	L	O=5/32		O=7/32		O=9/32		O=11/32	
		R=1/2	R=3/4	R=1/2	R=3/4	R=1/2	R=3/4	R=1/2	R=3/4
1 3/16	113/16	A129512	A129534	A129712	A129734	A129912	A129934	A129112	A129134
111/16	2 5/16	A221512	A221534	A221712	A221734	A221912	A221934	A221112	A221134
2 3/16	213/16	A229512	A229534	A229712	A229734	A229912	A229934	A229112	A229134
211/16	3 5/16	A321512	A321534	A321712	A321734	A321912	A321934	A321112	A321134
3 3/16	313/16	A329512	A329534	A329712	A329734	A329912	A329934	A329112	A329134
311/16	4 5/16	A421512	A421534	A421712	A421734	A421912	A421934	A421112	A421134
4 3/16	413/16	A429512	A429534	A429712	A429734	A429912	A429934	A429112	A429134



A	L	O=5/32		O=7/32		O=9/32	
		R=1/2	R=3/4	R=1/2	R=3/4	R=1/2	R=3/4
29/32	125/32	U157512	U157534	U157712	U157734	U157912	U157934
113/32	2 9/32	U241512	U241534	U241712	U241734	U241912	U241934
129/32	225/32	U257512	U257534	U257712	U257734	U257912	U257934
213/32	3 9/32	U341512	U341534	U341712	U341734	U341912	U341934
229/32	325/32	U357512	U357534	U357712	U357734	U357912	U357934



A	L	O=5/32	O=7/32
1 3/16	113/16	AR129532	AR129732
111/16	2 5/16	AR221532	AR221732
2 3/16	213/16	AR229532	AR229732

# Sprue Bushings

HARDENED, GROUND  
& POLISHED

