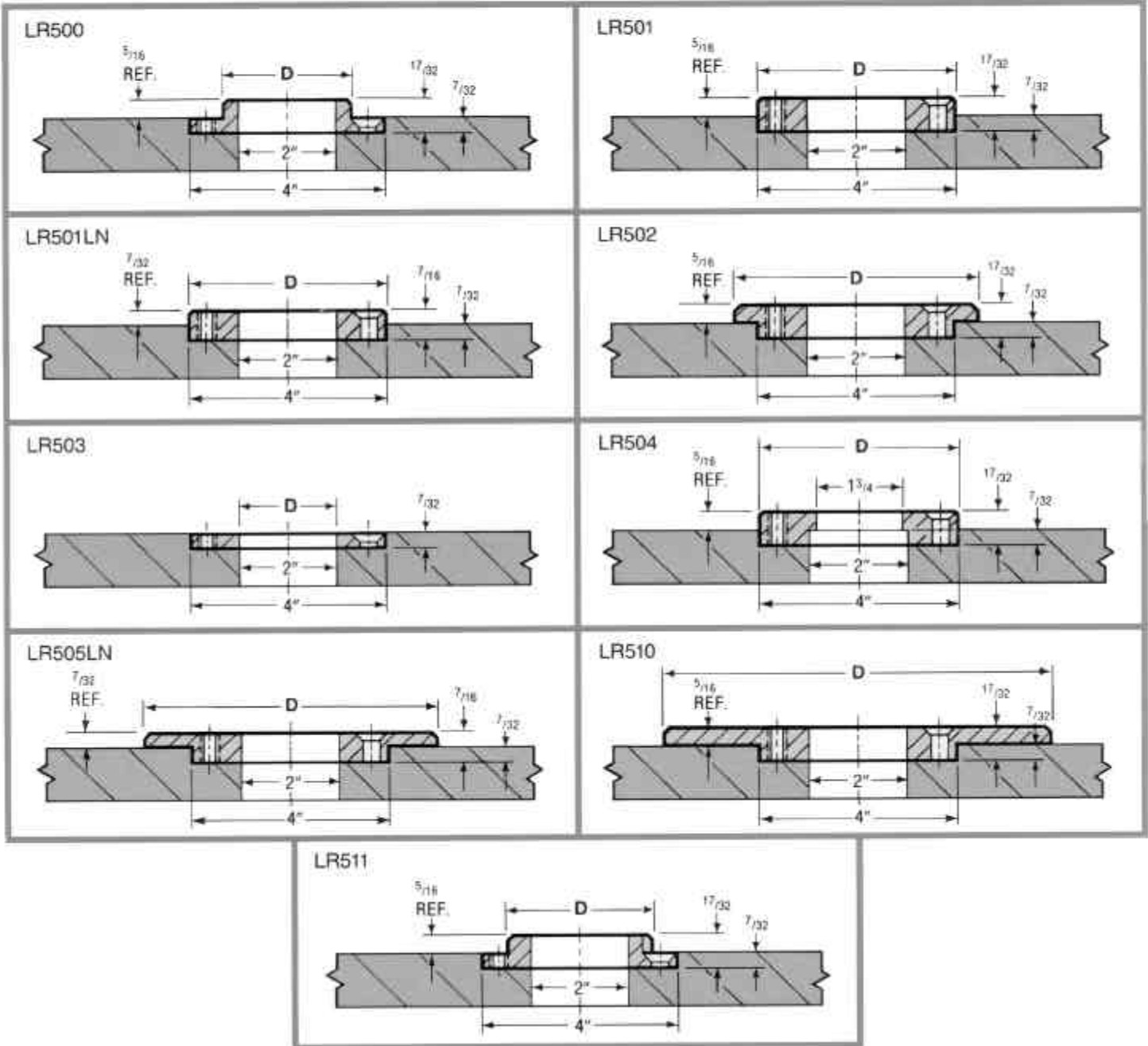


# Locating Rings

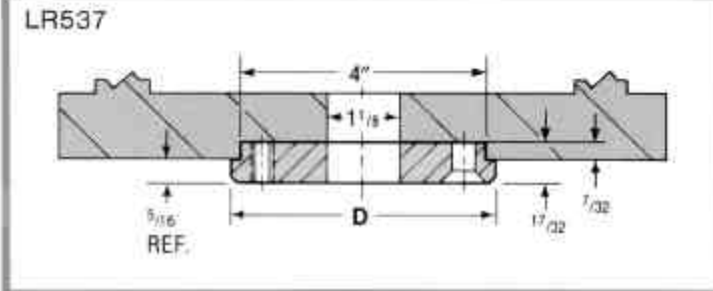
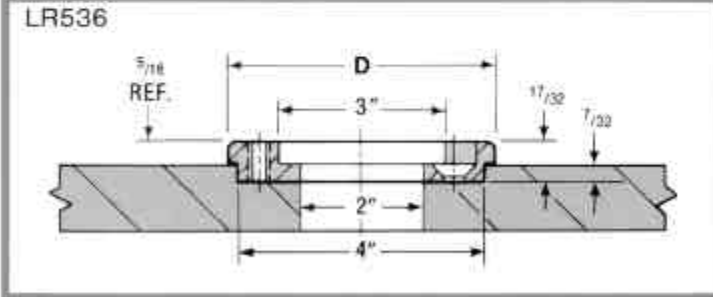
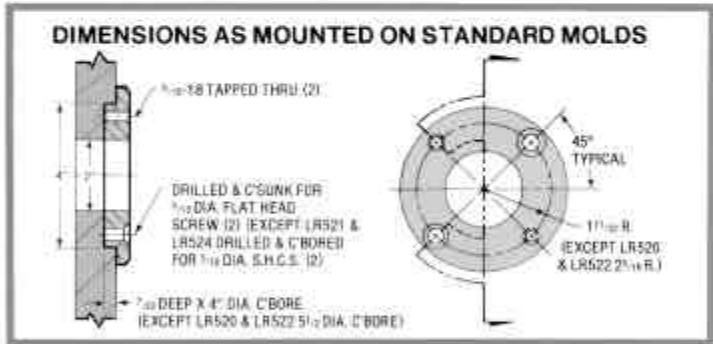
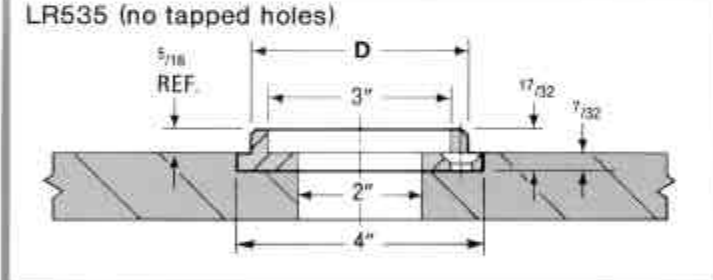
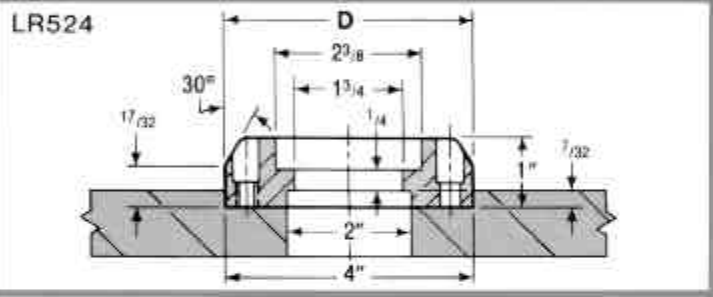
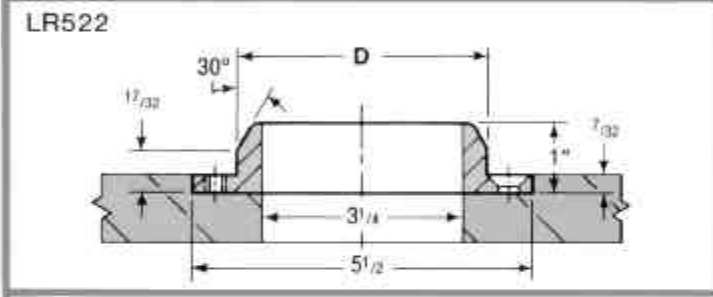
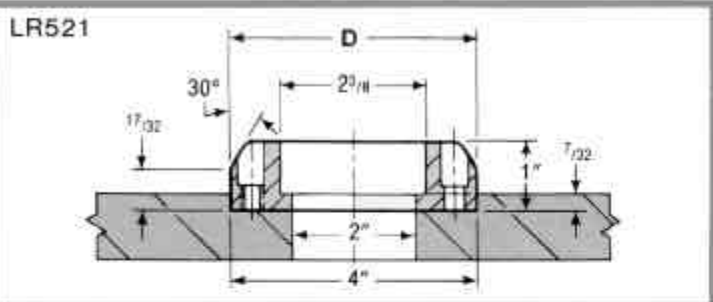
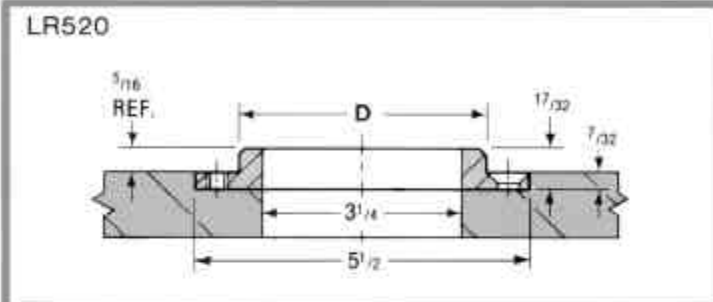
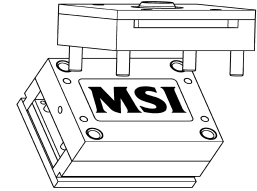
## FOR PLASTIC MOLDS

- LR521 and LR524 are supplied with two 5/16-18 Socket Head Cap Screws.
- All other Locating Rings supplied with two 5/16-18 Flat Head Screws.



# Locating Rings

FOR PLASTIC MOLDS



CATALOG NUMBER	D	DESCRIPTION
LR500	2.615	
LR501	3.990	STANDARD SERIES
LR501LN	3.990	LN SERIES
LR502	4.990	
LR503	2.000	
LR504	3.990	CLAMP TYPE
LR505LN	5.990	LN SERIES
LR510	7.995	
LR511	2.990	
LR520	3.990	EXTENSION NOZZLE TYPE
LR521	3.990	STANDARD SERIES - EXTRA LEAD IN
LR522	3.990	EXTENSION NOZZLE TYPE - EXTRA LEAD IN
LR524	3.990	CLAMP TYPE - EXTRA LEAD IN
LR535	3.541	
LR536	4.331	TOP RING
LR537	4.331	BOTTOM RING