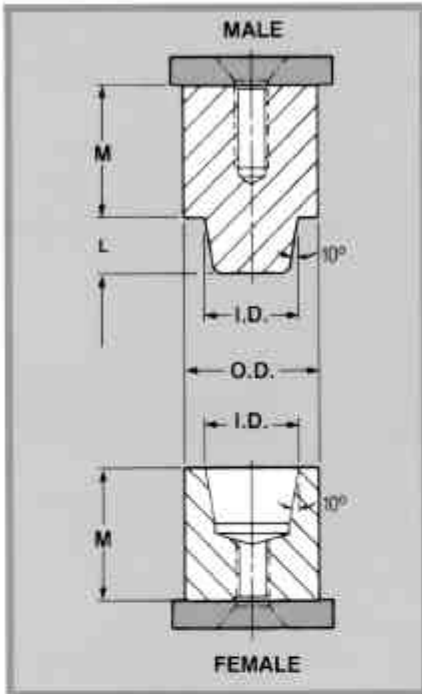
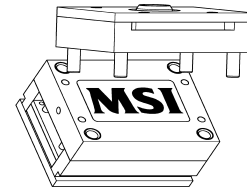
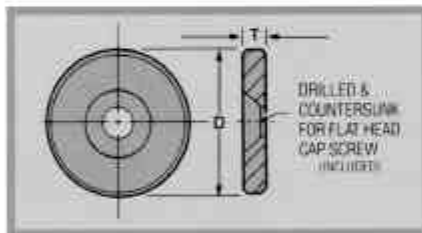


Taperlocks



MSI Taperlocks provide positive alignment that may not be possible by the leader pins and bushings alone. Extra stock is provided at the back of both male and female to allow fitting at assembly to match a specific plate thickness or pocket depth.

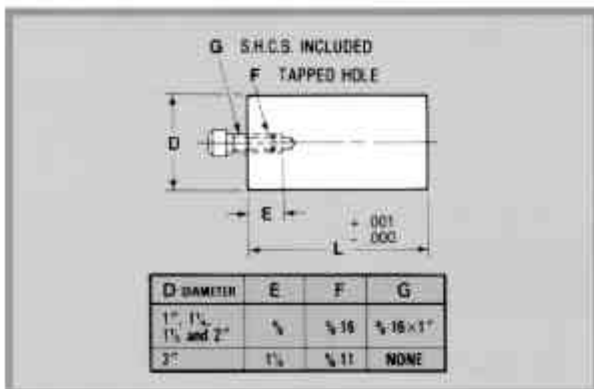
O.D.	I.D.	L	TAP SIZE	M	CATALOG NO. MALE	CATALOG NO. FEMALE
1/2	5/16	1/4	10-24	1 1/16	MTL050-11	FTL050-11
				7/8	MTL050-14	FTL050-14
				1 3/16	MTL050-19	FTL050-19
				1 3/8	MTL050-22	FTL050-22
3/4	1/2	3/32	1/8-20	1 1/16	MTL075-11	FTL075-11
				7/8	MTL075-14	FTL075-14
				1 3/16	MTL075-19	FTL075-19
				1 3/8	MTL075-22	FTL075-22
1"	5/8	1 1/32	1/8-20	1 1/16	MTL100-11	FTL100-11
				7/8	MTL100-14	FTL100-14
				1 3/16	MTL100-19	FTL100-19
				1 3/8	MTL100-22	FTL100-22
1 1/2	1"	1/2	3/16-18	1 3/8	MTL150-18	FTL150-18
				1 7/8	MTL150-22	FTL150-22
				1 5/8	MTL150-26	FTL150-26
				1 1/8	MTL200-18	FTL200-18
2"	1 1/2	1/2	3/16-18	1 3/8	MTL200-22	FTL200-22
				1 5/8	MTL200-26	FTL200-26
				1 7/8	MTL200-26	FTL200-26



SPACER PLATES

O.D.	D	T	SCREW SIZE	CATALOG NUMBER
1/2	1 1/16	3/16	10-24	SP050
3/4	1"	3/16	1/8-20	SP075
1"	1 3/16	3/16	1/8-20	SP100
1 1/2	1 1/16	1/2	3/16-18	SP150
2"	2 3/16	1/2	3/16-18	SP200

Support Pillars



D	L	CATALOG NUMBER
1"	2 1/2"	SP1090
	3"	SP1091
	3 1/2"	SP1092
	4"	SP1093
	4 1/2"	SP1094
1 1/4"	2 1/2"	SP1130
	3"	SP1131
	3 1/2"	SP1132
	4"	SP1133
	4 1/2"	SP1134
	5"	SP1135
6"	SP1136	

D	L	CATALOG NUMBER
1 1/2"	2 1/2"	SP1140
	3"	SP1141
	3 1/2"	SP1142
	4"	SP1143
	4 1/2"	SP1144
	5"	SP1145
2"	8"	SP1146
	2 1/2"	SP1150
	3"	SP1151
	3 1/2"	SP1152
	4"	SP1153
	4 1/2"	SP1154
5"	SP1155	
6"	SP1156	

D	L	CATALOG NUMBER
3"	5"	SP1235
	6"	SP1236
	8"	SP1238

MSI Support Pillars are a necessary component of your mold set for additional support and preventing deflection. They greatly increase your permissible cavity area capacity.