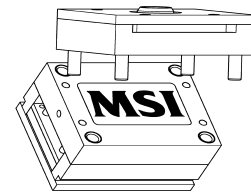
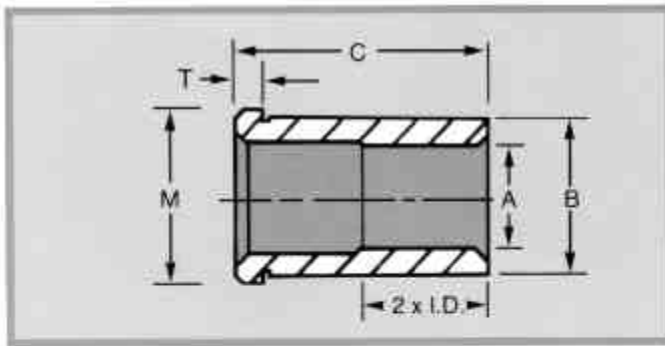


Shoulder Bushings



HARDENED AND PRECISION GROUND



GENERAL DIMENSIONS				
NOM. SIZE	A	B	M	T
3/4"	.7505	1.1255	1.250	3/16"
7/8"	.8755	1.2505	1.375	3/16"
1"	1.0005	1.3755	1.500	3/16"
1 1/4"	1.2505	1.6255	1.750	3/16"
1 1/2"	1.5005	2.0005	2.125	3/16"
2"	2.0005	2.5005	2.625	3/16"
2 1/2"	2.5005	3.2505	3.375	3/16"

TOLERANCES	
INSIDE DIAMETER (A)	+ .0005 - .0000
OUTSIDE DIAMETER (B)	+ .0005 - .0000
HEAD DIAMETER (M)	+ .000 - .010
HEAD THICKNESS (T)	+ .000 - .005

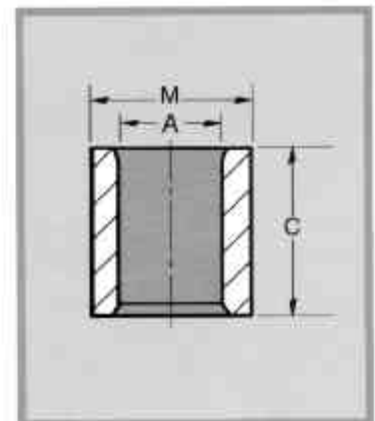
C	3/4	7/8	1"	1-1/4	1-1/2	2"	2-1/2	C
	CATALOG NUMBER	CATALOG NUMBER	CATALOG NUMBER	CATALOG NUMBER	CATALOG NUMBER	CATALOG NUMBER	CATALOG NUMBER	
7/16	2700	2710	2730	2750	2770	—	—	7/16
1 1/16	2701	2711	2731	2751	2771	2901	2951	1 3/16
1 7/16	2702	2712	2732	2752	2772	2902	2952	1 7/16
2 3/16	2703	2713	2733	2753	2773	2903	2953	2 3/16
2 7/16	2704	2714	2734	2754	2774	2904	2954	2 7/16
3 3/16	2705	2715	2735	2755	2775	2905	2955	3 3/16
3 7/16	2706	2716	2736	2756	2776	2906	2956	3 7/16
4 3/16	2707	2717	2737	2757	2777	2907	2957	4 3/16
4 7/16	2708	2718	2738	2758	2778	2908	2958	4 7/16
5 7/16	2709	2720	2740	2760	2780	2910	2960	5 7/16

For Lamina bronze plated bushings add "B" at the end of the part number.

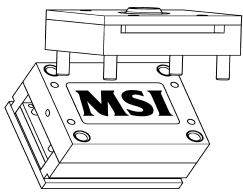
Straight Bushings

HARDENED AND PRECISION GROUND

NOM. I.D.	A +.0005 -.0000	C	M +.0005 -.0000	CATALOG NUMBER
3/4"	.7505	7/8"	1.1255	2500
		1 1/4"	1.1255	2501
7/8"	.8755	1 3/8"	1.2505	2502
		1 3/4"	1.3755	2503
1"	1.0005	1 7/8"	1.6255	2504
		1 7/4"	1.6255	2505
1 1/4"	1.2505	1 7/2"	2.0005	2506
		1 7/8"	2.0005	2507
2"	2.0005	3 3/8"	2.5005	2508
2 1/2"	2.5005	4 7/8"	3.2505	2509

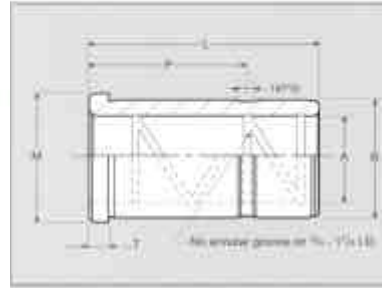
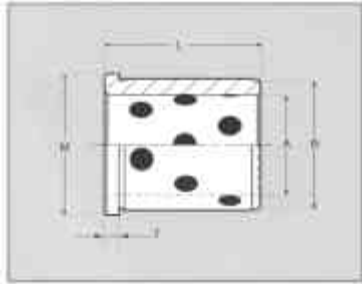


For Lamina bronze plated bushings add "B" at the end of the part number.



Shoulder & Straight Bushings

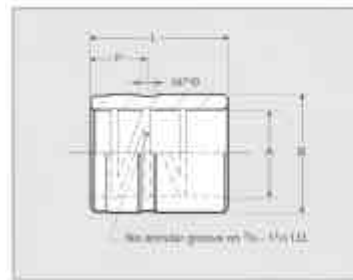
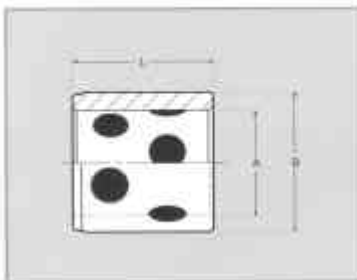
Solid Aluminum Bronze and Self-Lubricating



GENERAL DIMENSIONS & TOLERANCES

NOM. I.D.	A	B	M	T
--	+0.0005 -0.0000	+0.0005 -0.0000	+0.000 -0.010	+0.000 -0.005
3/4	0.7505	1.1255	1.250	3/16
7/8	0.8755	1.2505	1.375	3/16
1"	1.0005	1.3755	1.500	3/16
1 1/4	1.2505	1.6255	1.750	3/16
1 1/2	1.5005	2.0005	2.125	3/16
2"	2.0005	2.5005	2.625	3/16

L	A=3/4	A=7/8	A=1"	A=1 1/4	A=1 1/2	A=2"
	CAT. NO.	CAT. NO.	CAT. NO.	CAT. NO.	CAT. NO.	CAT. NO.
7/8	2700*	2710*	2730*	2750*	2770*	--
1 3/8	2701*	2711*	2731*	2751*	2771*	2901*
1 7/8	2702*	2712*	2732*	2752*	2772*	2902*
2 3/8	2703*	2713*	2733*	2753*	2773*	2903*
2 7/8	2704*	2714*	2734*	2754*	2774*	2904*
3 3/8	2705*	2715*	2735*	2755*	2775*	2905*
3 7/8	2706*	2716*	2736*	2756*	2776*	2906*
4 3/8	2707*	--	2737*	2757*	2777*	2907*
4 7/8	--	--	2738*	2758*	2778*	2908*
5 7/8	--	--	2740*	2760*	2780*	2910*



NOM. I.D.	A	B	L	P**	CATALOG NUMBER
3/4	0.7505	1.1255	7/8	***	2500*
3/4	0.7505	1.1255	1 3/8	0.56	2501*
7/8	0.8755	1.2505	1 3/8	0.56	2502*
1"	1.0005	1.3755	1 3/8	0.56	2503*
1 1/4	1.2505	1.6255	1 3/8	0.56	2504*
1 1/4	1.2505	1.6255	1 7/8	0.56	2505*
1 1/2	1.5005	2.0005	1 3/8	0.56	2506*
1 1/2	1.5005	2.0005	1 7/8	0.56	2507*
2"	2.0005	2.5005	3 7/8	1.56	2508*

TOLERANCES	
A	+ .0005 - .0000
B	+ .0005 - .0000
L	+ .015 - .030

FOOTNOTES: * For self-lubing, add "SL" and for aluminum-bronze add "SB" after part #. ** No groove on SL bushings. *** No groove or hole on 7/8 O/A bushings